



3P Technik Filtersysteme GmbH

Innovative Rainwater Harvesting

3P Compact Filter

Rainwaterfilter ... for installation within rainwater tanks

Installation
Installation-Instructions

Operating
Operating-Instructions



Art.-Nr. 1000100

www.3PTechnik.com

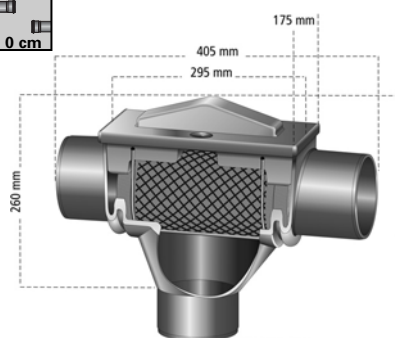
From our rainwater product range:



3P Compact Filter

Please read the instructions for installation and handling of your 3P Compact Filter rainwater filter carefully, and follow the advice.

1. Technical data



2. Installation advice

The 3P Compact Filter is ideally suited for use in conjunction with a

for a height difference in tank between inlet and outlet

from 0 cm



3P Overflow Siphon Duo,

for installation in a tank with a height difference between the Inlet and Outlet from 11 cm.

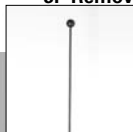
for height difference in tank between inlet and outlet

from 11 cm



Recommended Accessories

3P Removal Handle



For filter removal in deeper installations.
Length 50 cm.
Material Stainless Steel.
Art.-Nr. 1000550

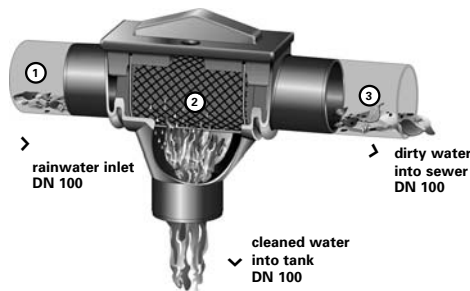
3P Rapid Connector



For a simple and rapid connection of the filter within tanks
Art.-Nr. 1000210

3P Compact Filter

3. How it works

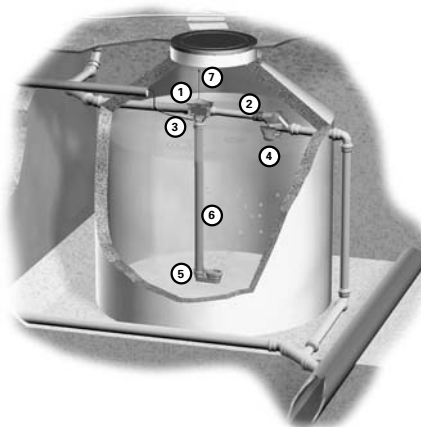


- ① Rainwater is led onto the filter cartridge.
- ② The filter cartridge cleans the rainwater. The cleaned rainwater is led through the calmed flow inlet into the rainwater tank.
- ③ Due to its smooth surface structure the dirt is quickly rinsed away into the sewer.

4. Installation advice

- Connect up the Inlet with a socket pipe connection, or a connector piece.
- Connect the Overflow to the Tank Overflow Outlet or to a 3P Overflow Siphon Duo with a socket connector pipe, or use a 3P Rapid Connector.
- Connect a Calmed Flow Inlet via a vertical pipe, cut to the required length. The Compact Filter can be fully supported by this standing pipe and 3P Calmed Inlet.

5. 3P Compact Filter in tank



- ① 3P Compact Filter with:
- ② - 3P Rapid Connector
- ③ - Connection for optional 3P Backwashing Device
- ④ - 3P Overflow Siphon Duo
- ⑤ - 3P Calmed Flow Inlet
- ⑥ - Standing Pipe
- ⑦ - 3P Removal Device

3P Backwashing Device SF + PF



+ Backwashing Device
+ Profi Connection Set

Art.-Nr. 1000355

3P Automatic Backwashing Device SF + PF



+ Backwashing Device
+ Profi Connection Set
+ Programmable
Timing Device

Art.-Nr. 1000356



3P Technik Filtersysteme GmbH

Innovative Rainwater Harvesting

3P Compact Filter

Rainwaterfilter ... for installation within rainwater tanks

6. Maintenance advice

Monitor the filter condition regularly.

Maintenance inspections are especially useful in spring and autumn, and after long dry periods!

When testing the sieve, examine the filter by holding up against the light and inspect for any blocked holes in the filter mesh.

As necessary clean the filter with a brush, using a little washing up liquid to help dissolve any fatty deposits or hydrocarbon build up.

You may also put the filter insert into a dishwasher.

The filter insert is made of stainless steel.

With horizontal situated filters, like the 3P Compact Filter, a streak of dirt may build up which dries out after a while. The dirt then peels away or breaks off and with the next rain shower it is rinsed away.

Use of the Optional Backwashing Device (see page 3)!

The filter is simply and easily cleaned with the backwashing device.

A small jet nozzle is installed below the filter sieve.

In the 3P Compact Filter the filter cartridge rotates rapidly during rinsing.

The strong jet of water rinses the mesh effectively and dislodges the dirt and also the filter cartridge is typically left in an alternate position.

3P Backwashing Device
SF + PF



7. Guarantee

3P Technik Filtersysteme GmbH offers this product the guarantee required by law (from date of purchase).

service@3ptechnik.de

www.3PTechnik.com

104

www.3PTechnik.com